

CARDONE ProTech

Supporting Today's Professional Technician



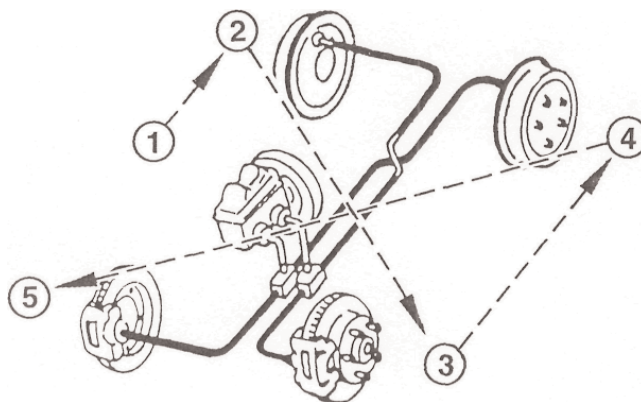
DIAGONAL SPLIT BLEEDING SEQUENCE

Application: FWD vehicles with diagonal split brake systems.

Problem: Brake system won't bleed, uneven pad wear, low brake pedal, or warning lights that won't go out.

Cause: Improper brake bleeding sequence.

Solution: Brake systems on most FWD vehicles have been redesigned to insure adequate stopping power in the event of partial system failure. To ensure proper system performance these diagonal split systems require a special bleeding sequence, usually RR, LF, LR, RF. Refer to manufacture's bleeding sequence for your vehicle.



Note: When replacing brake components, always flush entire brake system with approved brake fluid from a sealed container.

For other ProTech publications, visit www.cardone.com
CARDONE Industries, Inc. • 5501 Whitaker Ave. • Philadelphia, PA 19124-1799