

CARDONE ProTech

Supporting Today's Professional Technician



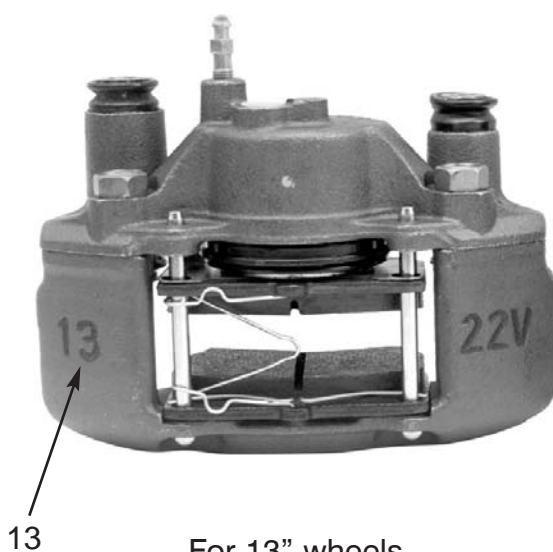
Explanation of caliper letter codes: 19-1336 or 19-1336A

Application: Ford Escort, EXP, ZX2 1991- 2001 Front Caliper Loaded or Unloaded.

Problem: Brake rotors grind against caliper bracket.

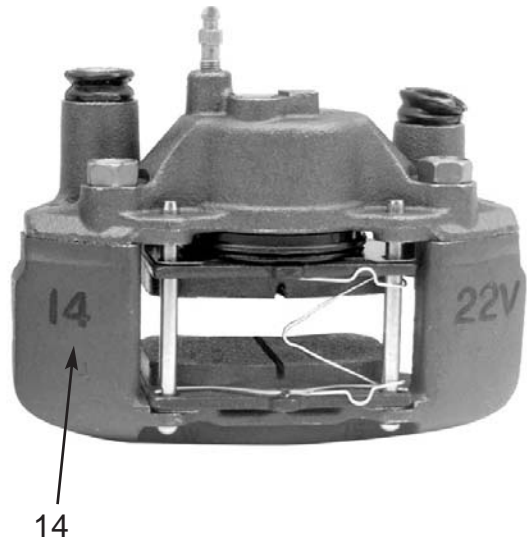
Cause: Customer installation of 19-1336/7 calipers on vehicles requiring "A" version. It is possible to put the non-A version caliper on the "A" version vehicle but clearance between the rotor and bracket is minimal. Road shock could cause rotor-to-bracket contact. Noise, customer dissatisfaction and unit failure will result.

Solution: Counterperson must make sure customer gets the correct caliper for the application. Please reference the catalog for specific applications. The pictures below show casting numbers that can be used to assist in caliper identification.



For 13" wheels

1336/1337



For 14" or 15" wheels

1336A/1337A

For other ProTech publications, visit www.cardone.com
CARDONE Industries, Inc. • 5501 Whitaker Ave. • Philadelphia, PA 19124-1799