

# CARDONE ProTech

Supporting Today's Professional Technician



## Devac Tool for Hard-to-Bleed Ford Power Steering Systems

### Application:

All power steering equipped vehicles (especially Ford)

### Problem:

Whine or moan noise from power steering pump

### Cause:

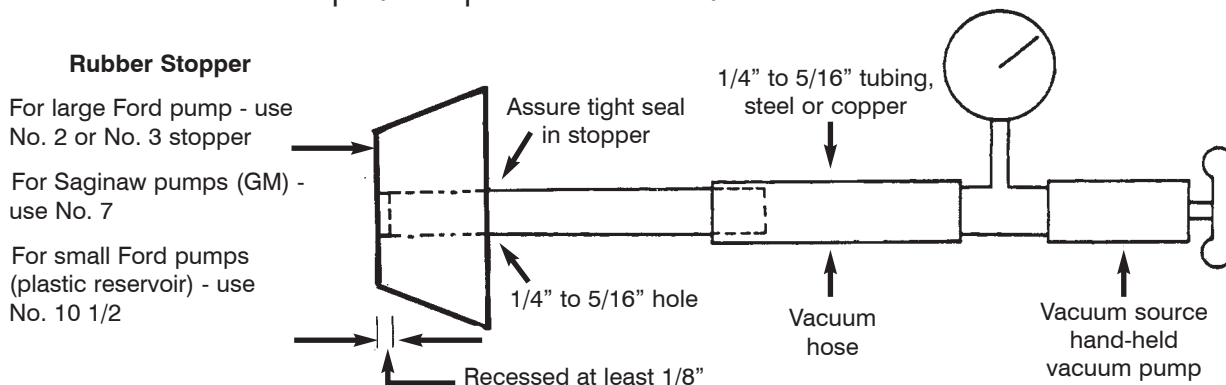
Air trapped in the power steering system

### Solution:

The tool shown below can be used to remove entrapped air.

**CAUTION: UNDER NO CIRCUMSTANCES SHOULD ENGINE VACUUM BE UTILIZED.**

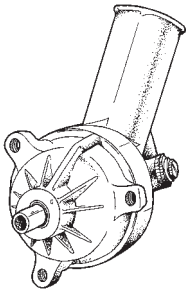
1. Check and fill the pump reservoir.
2. Insert the rubber stopper of the air evacuator assembly tightly into the pump reservoir fill neck. Do not allow fluid to contact pump—it will destroy pump.
3. Apply 15 inches Hg. vacuum to pump reservoir with engine idling. Cycle the steering wheel from lock-to-lock every 30 seconds for approximately five minutes. Do not hold steering wheel on stops while cycling. Maintain adequate vacuum with source as the air purges.
4. Release vacuum and remove vacuum equipment. Add additional fluid if necessary and reinstall dipstick.
5. Restart engine, cycle steering wheel and check for oil leaks at all connections. In severe cases of aeration, it may be necessary to repeat this procedure several times.



For other ProTech publications, visit [www.cardone.com](http://www.cardone.com)  
CARDONE Industries, Inc. • 5501 Whitaker Ave. • Philadelphia, PA 19124-1799

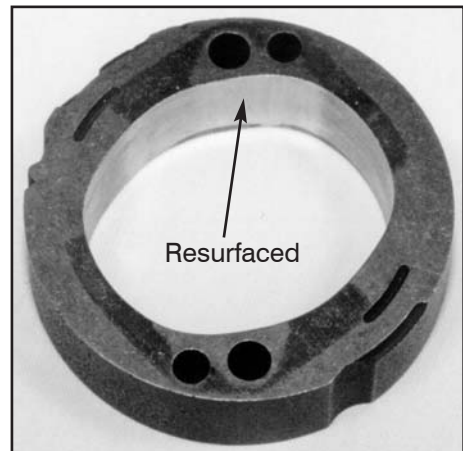
# Made by O.E. Remanufactured Best by **CARDONE**<sup>®</sup>

## Power Steering Pumps



- Control Valves
- Power Cylinders
- Power Steering Pumps  
-Filters
- Rack & Pinion Units
- Steering Gears

**Cam Rings** - In order to prevent low flow, noise, or no pressure, CARDONE resurfaces the cam ring to give it the original, consistent surface. By running your finger around the inside of the cam ring, you will be able to feel the smooth inner surface. Every unit is tested for proper flow and pressure to make sure it meets all OEM specifications. This process ensures a high quality unit that won't come back.



- Limited lifetime warranty
- Contact your local auto parts store or visit our web site, **[www.cardone.com](http://www.cardone.com)**, for more information on this and other CARDONE products today!