

CARDONE ProTech

Supporting Today's Professional Technician



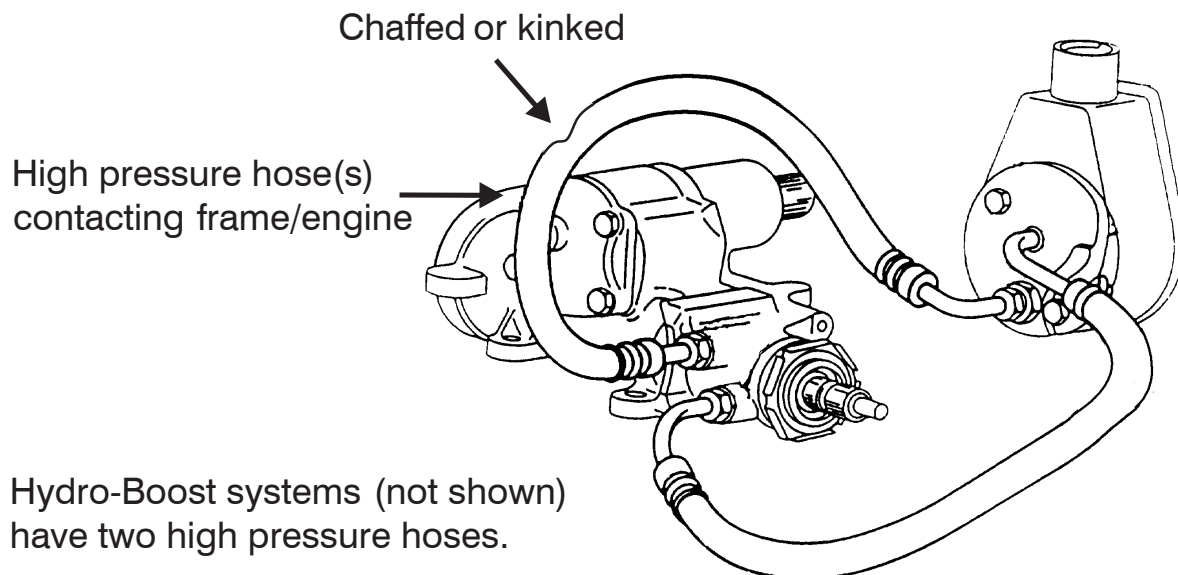
Relocating Power Steering Hose May Eliminate Vibration

Application: All power steering equipped vehicles.

Problem: Power steering noise.

Cause: Power steering pressure hoses vibrate under high pressure. Hoses may be contacting the body, frame or engine oil pan causing noisy operation.

Solution: Relocate the power steering hoses. Check for missing hold down clamps or hardware. Replace damaged hoses as necessary.

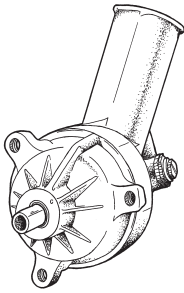


Note: Failure to flush system will **VOID THE WARRANTY.**

For other ProTech publications, visit www.cardone.com
CARDONE Industries, Inc. • 5501 Whitaker Ave. • Philadelphia, PA 19124-1799

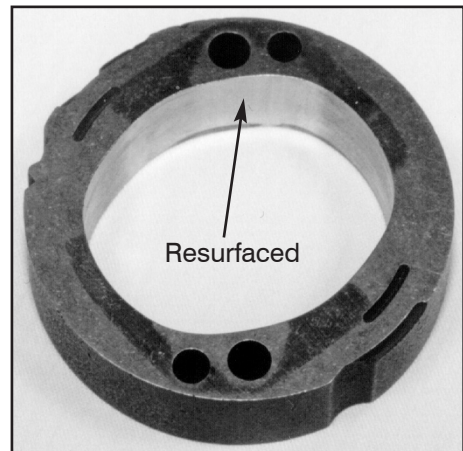
Made by O.E. Remanufactured Best by **CARDONE**[®]

Power Steering Pumps



- Control Valves
- Power Cylinders
- Power Steering Pumps
-Filters
- Rack & Pinion Units
- Steering Gears

Cam Rings - In order to prevent low flow, noise, or no pressure, CARDONE resurfaces the cam ring to give it the original, consistent surface. By running your finger around the inside of the cam ring, you will be able to feel the smooth inner surface. Every unit is tested for proper flow and pressure to make sure it meets all OEM specifications. This process ensures a high quality unit that won't come back.



- Limited lifetime warranty
- Contact your local auto parts store or visit our web site, **www.cardone.com**, for more information on this and other CARDONE products today!