

CARDONE ProTech

Supporting Today's Professional Technician



EVO — Electronic Variable Orifice: What is it?

Application:

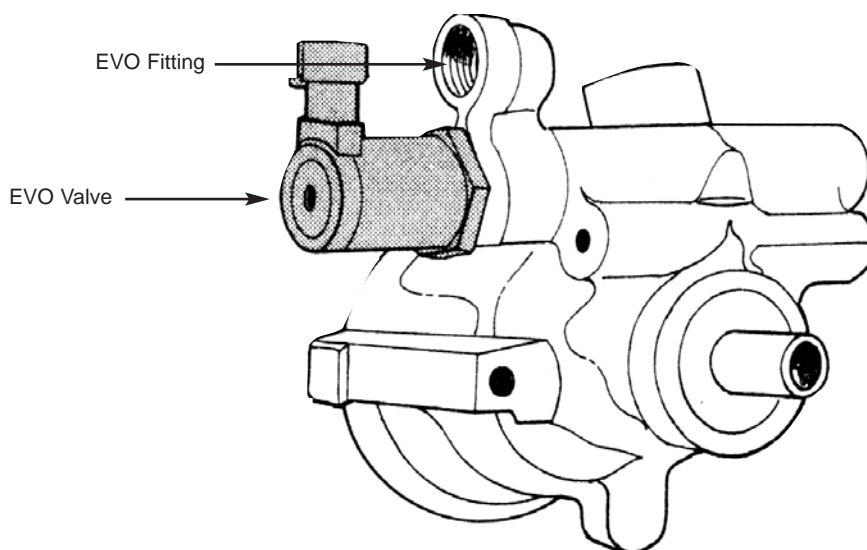
All vehicles equipped with speed proportional steering systems.

Problem:

Understanding E.V.O. systems.

Solution:

E.V.O. stands for Electronically Variable Orifice. This component is controlled by an electronic control module that reduces fluid pressure from the power steering pump to the steering gear at highway speeds. Improved high speed handling and road feel is the result.



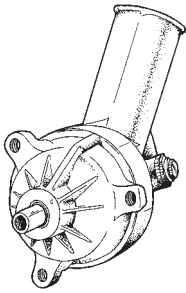
Note:

Replacement pumps may require the transfer of the E.V.O. fitting and valve to the replacement unit.

For other ProTech publications, visit www.cardone.com
CARDONE Industries, Inc. • 5501 Whitaker Ave. • Philadelphia, PA 19124-1799

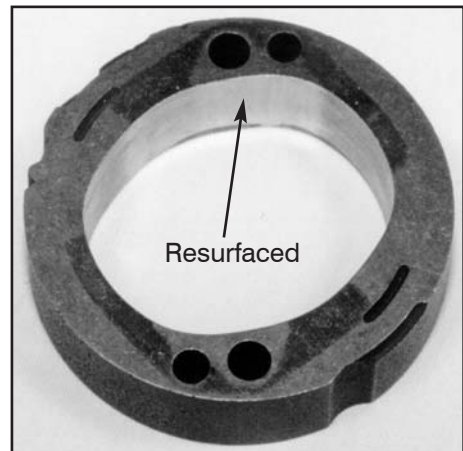
Made by O.E. Remanufactured Best by **CARDONE**[®]

Power Steering Pumps



- Control Valves
- Power Cylinders
- Power Steering Pumps
-Filters
- Rack & Pinion Units
- Steering Gears

Cam Rings - In order to prevent low flow, noise, or no pressure, CARDONE resurfaces the cam ring to give it the original, consistent surface. By running your finger around the inside of the cam ring, you will be able to feel the smooth inner surface. Every unit is tested for proper flow and pressure to make sure it meets all OEM specifications. This process ensures a high quality unit that won't come back.



- Limited lifetime warranty
- Contact your local auto parts store or visit our web site, **www.cardone.com**, for more information on this and other CARDONE products today!