

CARDONE ProTech

Supporting Today's Professional Technician



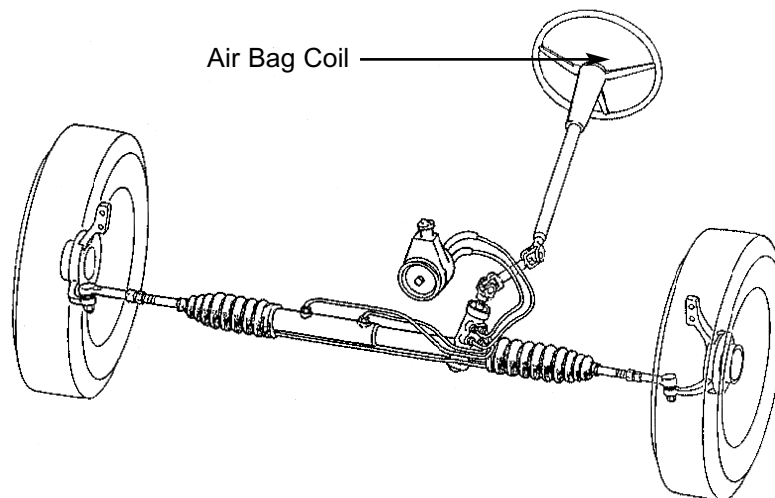
Excessive Rotation of Steering Causes Air Bag Coil Damage

Application: All vehicles equipped with steering column air bags.

Problem: Steering column air bag inoperative after steering gear replacement.

Cause: Excessive steering wheel rotation during installation of steering gear, resulting in a broken air bag coil.

Solution: The steering wheel **must** be held in the center position prior to removal of intermediate steering shaft (use appropriate tool). This will prevent excessive rotation of the steering column and failure of the air bag coil.



Note: Consult a shop manual for more specific manufacturers' service procedures and specifications.

For other ProTech publications, visit www.cardone.com
CARDONE Industries, Inc. • 5501 Whitaker Ave. • Philadelphia, PA 19124-1799