

CARDONE ProTech

Supporting Today's Professional Technician



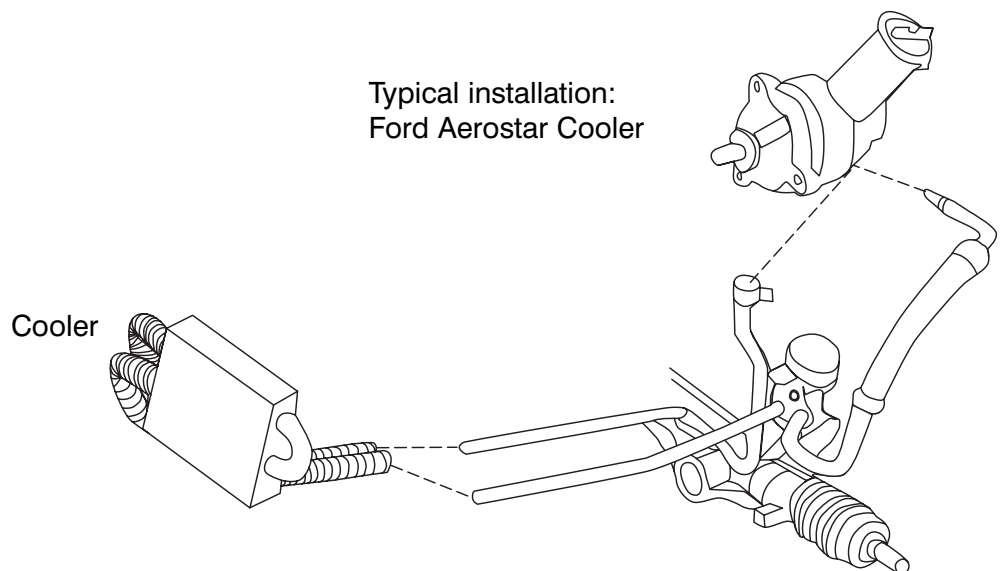
Silent Killer: Clogged Power Steering Cooler

Application: Power Steering equipped vehicles with an oil cooler, especially Ford Aerostar.

Problem: Premature Power Steering failure, noisy operation, intermittent assist or premature failure.

Cause: Restricted flow through a failed cooler or accumulation of debris and contamination in the cooler.

Solution: Temporarily connect return lines together to bypass cooler. Test vehicle. If noise or assist problem is eliminated replace cooler (Ford Aerostar, see Ford technical service bulletin TSB 96-7-19). Be sure to inspect all hoses, including the remote reservoir hose, if so equipped. Also check the pump flow control valve and steering unit spool valve for debris. If debris is found eliminate cause (see ProTech PT 20-0004 and PT 20-0005). Flush the entire system (see PT 20-0012). Check in-line filters that may be blocked, change as necessary (see PT 20-0021).



For other ProTech publications, visit www.cardone.com
CARDONE Industries, Inc. • 5501 Whitaker Ave. • Philadelphia, PA 19124-1799