

# CARDONE ProTech

Supporting Today's Professional Technician



## ID Guide Identifies Large or Small Rotor Distribution Cam

### Application:

Certain Chrysler, Dodge, Ford, Kia and Mazda distributors. Example application: Chrysler Cirrus with 2.5L engine with large rotor cam or small rotor cam (Please see the CARDONE catalog for other applications).

### Problem:

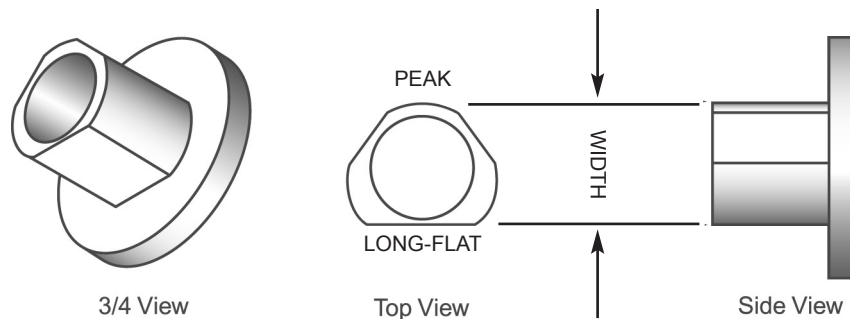
No start, poor drivability, cam code set. Rotor fits loosely or not at all.

### Cause:

There are two different rotor cams, large and small, for the same OE number. How can the correct replacement unit be determined?

### Solution:

The size of the rotor cams can be used to determine the correct part number. There are three flats on both cams, one long and two short. To determine the cam size, measure from the long flat to the opposite side (see below). The large cam measures approximately .526 inches, the small cam measures approximately .475 inches. See the examples below for measurements.



### Note:

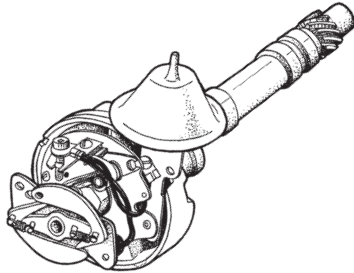
The long flat on the cam keys the rotor to the correct position. If the large rotor is used with the small rotor cam, the distributor will be mistimed. This will cause poor engine performance and possible engine damage. Using the wrong rotor or distributor **will void the distributor warranty.**

For other ProTech publications, visit [www.cardone.com](http://www.cardone.com)  
CARDONE Industries, Inc. • 5501 Whitaker Ave. • Philadelphia, PA 19124-1799

# Remanufactured Best by

## Distributors

**CARDONE**<sup>®</sup>



- ABS Modules
- Body Control Computers
- Engine Control Computers
- Ignition Distributors
- Power Supply Modules
- Suspension Control Modules
- Vane Airflow Meters
- Air Supply Modules
- Cruise Control Modules
- GM PROM Chips
- Mass Airflow Sensors
- Relay Control Modules
- Transmission Control Modules

- Domestic and import coverage for passenger cars, light and medium duty trucks
- The industry's most advanced engineering and remanufacturing technology
- 100% disassembly with component specific cleaning processes
- 100% computerized tested to ensure quality and reliability
- 100% new diaphragm assemblies, o-rings, seals, points and condensers
- 100% appearance inspected to ensure customer satisfaction
- Backed by a 12 month/18,000 mile warranty
- The industry's best full-line Distributor remanufacturer
  - An aggressive new product introduction program keeps you on the leading edge with the parts you need.
- Outstanding availability
  - The best and most consistent in the industry!
- ASE certified technical support
  - CARDONE Distributors stay sold!
- Priority Plus emergency overnight shipping
  - This service helps you increase your customers' satisfaction.
- Easy-to-use catalogs, product instruction guides and tech service bulletins

**Contact your local auto parts store or visit our web site, [www.cardone.com](http://www.cardone.com), for more information on this and other CARDONE products today!**

