

CARDONE ProTech

Supporting Today's Professional Technician



Window Lift Problem Solver for Sluggish Operation

Application:

All power window lift motors.

Problem:

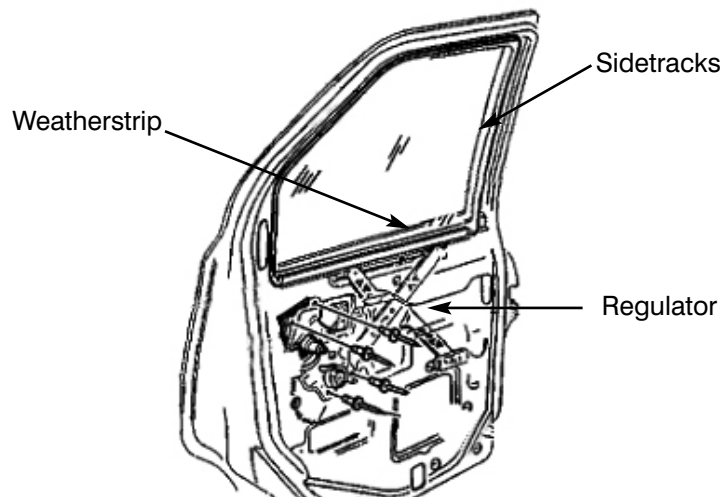
Slow moving, binding, noisy window operation.

Cause:

Dry or worn weatherstrip and tracks, dirty switch contacts, or damaged window regulator.

Solution:

Inspect all door weatherstripping inside and out for wear and alignment. Repair or replace as necessary. Ensure both side tracks are aligned straight, the felt inserts are lubricated, and the felt is not worn out. Replace any parts that are bent or worn. Lubricate side track felt and weatherstripping for smooth glass operation. This may require an overnight soak to allow the lubricant to penetrate (refer to your vehicle's factory service manual for approved lubricant and procedures). Check the regulator for worn, bent or binding arms, rollers, pivot points and spring. On cable-type regulators, check cables and cable tracks. **Note: A bad regulator usually results in a window that sticks or binds in some position.** Check the switch for dirty contacts and proper operation. Dirty contacts will cause excessive resistance that prevents the motor from developing full power resulting in poor performance. Clean with electrical contact cleaner if possible or replace as necessary.



Note:

Refer to ProTech 42-0001 and 42-0003 for other motor and switch test tips.

For other ProTech publications, visit www.cardone.com
CARDONE Industries, Inc. • 5501 Whitaker Ave. • Philadelphia, PA 19124-1799