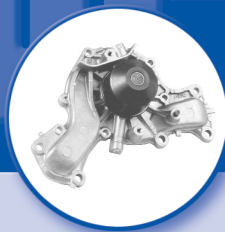


# CARDONE ProTech

Supporting Today's Professional Technician



## Ford/Mazda 2.5L Water Pump Guide

### Application:

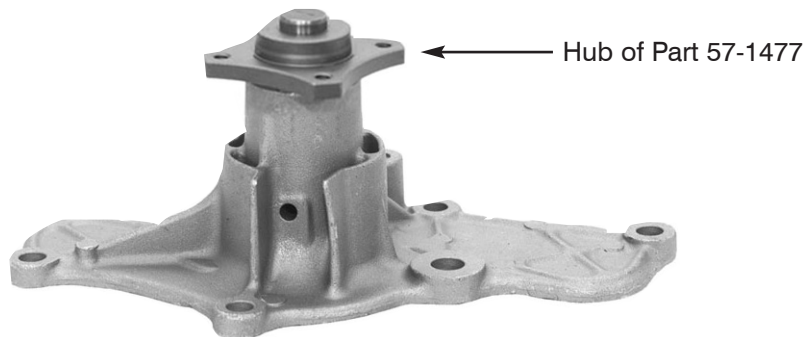
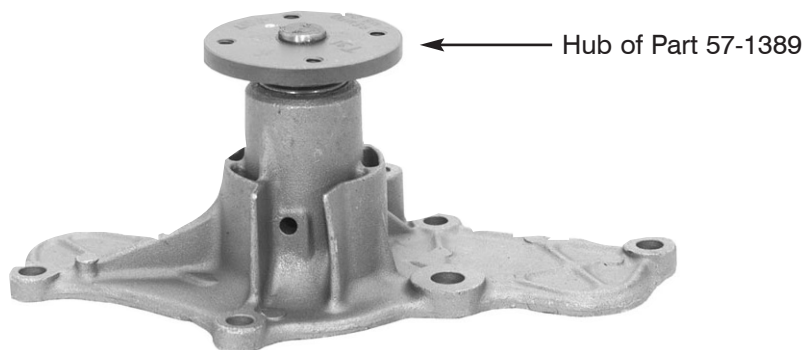
CARDONE water pump part numbers 57-1389 and 57-1477 for Ford Probe, Mazda Millenia, Mazda MX-6 or Mazda 626.

### Problem:

Replacement unit has a different hub than original unit.

### Solution:

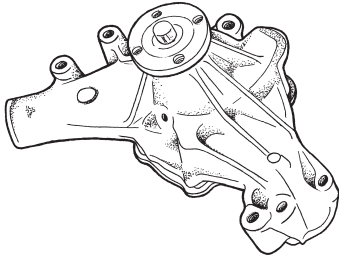
Compare original hub with examples shown below to determine correct part:



For other ProTech publications, visit [www.cardone.com](http://www.cardone.com)  
CARDONE Industries, Inc. • 5501 Whitaker Ave. • Philadelphia, PA 19124-1799

# Water Pumps

## Remanufactured Best by CARDONE<sup>®</sup>



- Smog Air Pumps
- Vacuum Pumps
- Water Pumps

**Bearings** - Because CARDONE insists on high quality and reliability in every part, our use of bearings is dependent upon the type of application.

Ball/Ball bearings are used mainly on passenger cars and light duty truck applications. Ball/Roller bearings are used mainly on high torque applications, because they are more durable. This is because the roller takes up more surface area on the shaft.

CARDONE recognizes that high torque applications require Ball/Roller bearings. Therefore, when required, CARDONE will replace Ball/Roller bearings with Ball/Roller and **not substitute** a Ball/Ball bearing like some competitors. In various instances, a water pump with an OEM supplied Ball/Ball bearing is **upgraded** to a Ball/Roller bearing in order to better meet the application requirements.



Ball/Roller

Ball/Ball

- 36 month or 36,000 mile warranty
- Contact your local auto parts store or visit our web site, [www.cardone.com](http://www.cardone.com), for more information on this and other CARDONE products today!

