

# CARDONE ProTech

Supporting Today's Professional Technician



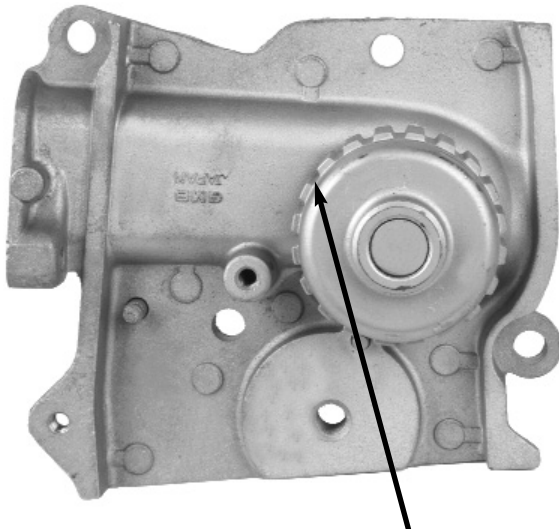
## Correct Pulley for 1983-87 Mazda 626 or 1986 B2000 Water Pump

**Application:** 1983-87 Mazda 626 or 1986 B2000.

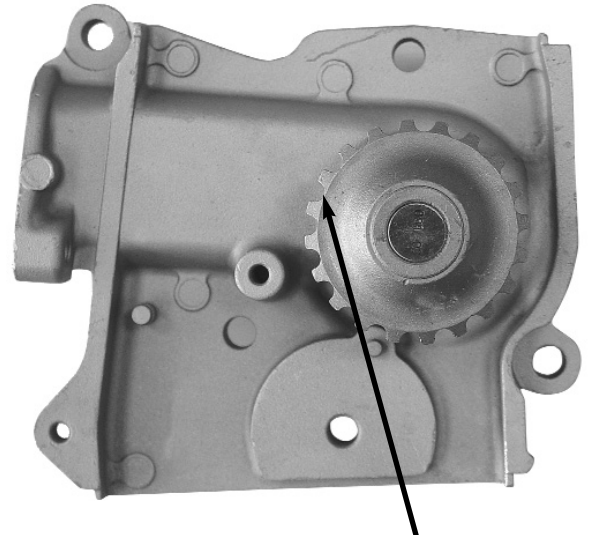
**Problem:** Original pulley teeth do not match replacement unit.

**Cause:** Mid-year change by the original manufacturer to different style pulley.

**Solution:** CARDONE is now supplying two pumps, one with square pulley teeth and one with round teeth. The part numbers are 57-1472 (square) and 57-1322 (round).



57-1472 (square)



57-1322 (round)

For other ProTech publications, visit [www.cardone.com](http://www.cardone.com)  
CARDONE Industries, Inc. • 5501 Whitaker Ave. • Philadelphia, PA 19124-1799