

CARDONE ProTech

Supporting Today's Professional Technician



CARDONE Corrects GM ECM Surface Mount Problem

Application:

G.M. Electronic Control Computers with surface mount technology. Original part numbers are: 16156647, 1227165, 1227303, 1227727, 1227730, 1227748, 1227749, 1228253, 1228321, 1228547, 1228706, and 16149396.

Problem:

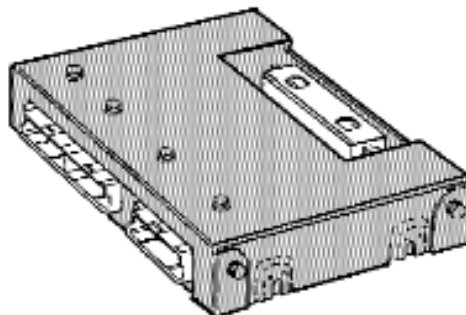
Engine misfire, hesitation, and intermittent check engine light and stalling.

Cause:

The original conformal coating applied by G.M. swelled, causing movement of the electronic components and cracking of critical solder joints.

Solution:

In 1994, a new process was introduced into production by CARDONE. The original conformal coating is removed, then the components on the printed circuit board are resoldered and tested. Finally, a new formula conformal coating is applied to seal the circuit board to complete the process.



Note:

CARDONE Electronic Control Computer part numbers with the updated process are: 77-6647, 77-7165, 77-7303, 77-7727, 77-7730, 77-7748, 77-7749, 77-8253, 77-8321, 77-8547, 77-8706 and 77-9396.

For other ProTech publications, visit www.cardone.com
CARDONE Industries, Inc. • 5501 Whitaker Ave. • Philadelphia, PA 19124-1799