

CARDONE ProTech

Supporting Today's Professional Technician



Failed Booster Seal Causes Master Cylinder Leaks

Application:

Vehicles equipped with power brake booster assemblies.

Problem:

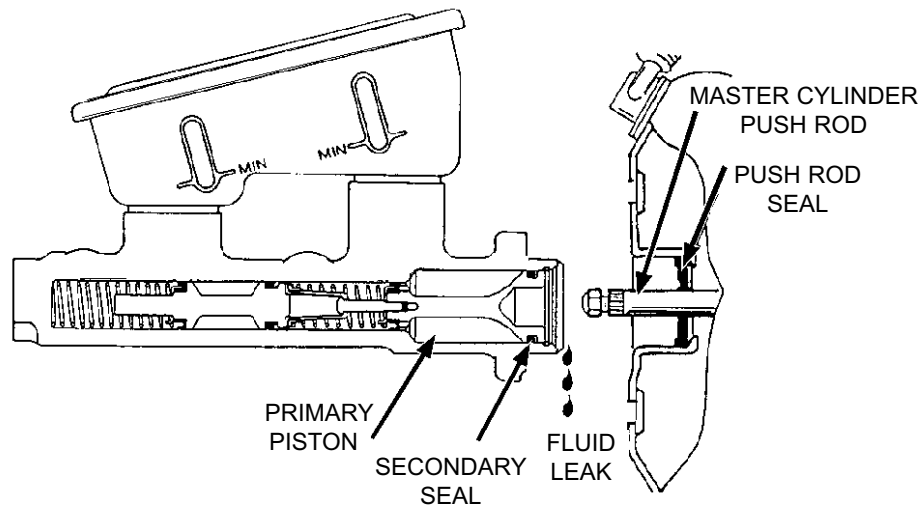
Chronic master cylinder failure due to fluid leaking past secondary seal in the master cylinder bore.

Cause:

A defective master cylinder pushrod seal in the power brake booster allowing vacuum to draw fluid past secondary seal of the master cylinder.

Solution:

Replace both master cylinder and power brake unit.



Note:

When replacing brake components, always flush entire brake system with approved brake fluid from a sealed container.

For other ProTech publications, visit www.cardone.com
CARDONE Industries, Inc. • 5501 Whitaker Ave. • Philadelphia, PA 19124-1799